

Neon Flex

Product Specification

Color type	Single Color	●
Output color	Orange	
CRI	-	
Decoding IC	-	●
LED/ Pixel	-	
Control type	PWM	●
Voltage (V)	12	
Power (W/m)	7.2	
Efficacy (Lm/W)	15	●
Luminous flux (Lm/M)	56	
Beam angle (°)	130	
Cutting interval (mm)	-	●
Maximum length single feed (m)	50	
Maximum length double feed (m)	-	
Width (mm)	10	●
Height (mm)	11	
Bending radius (mm)	-	●
Weight (kg)	-	
Operating temperature (°C)	-20~+60	●
Storage temperature (°C)	-	●
IP rating	-	
Warranty (year)	-	●

Approvals

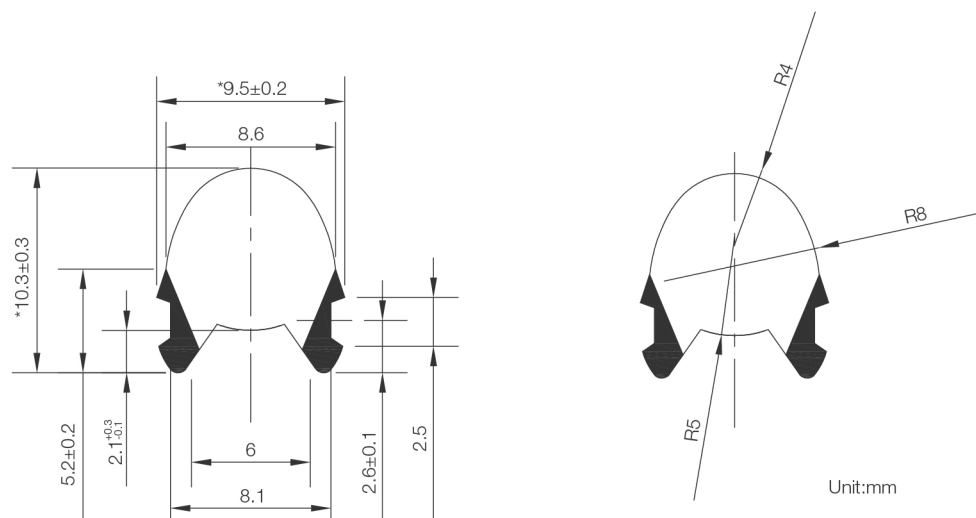


Product information

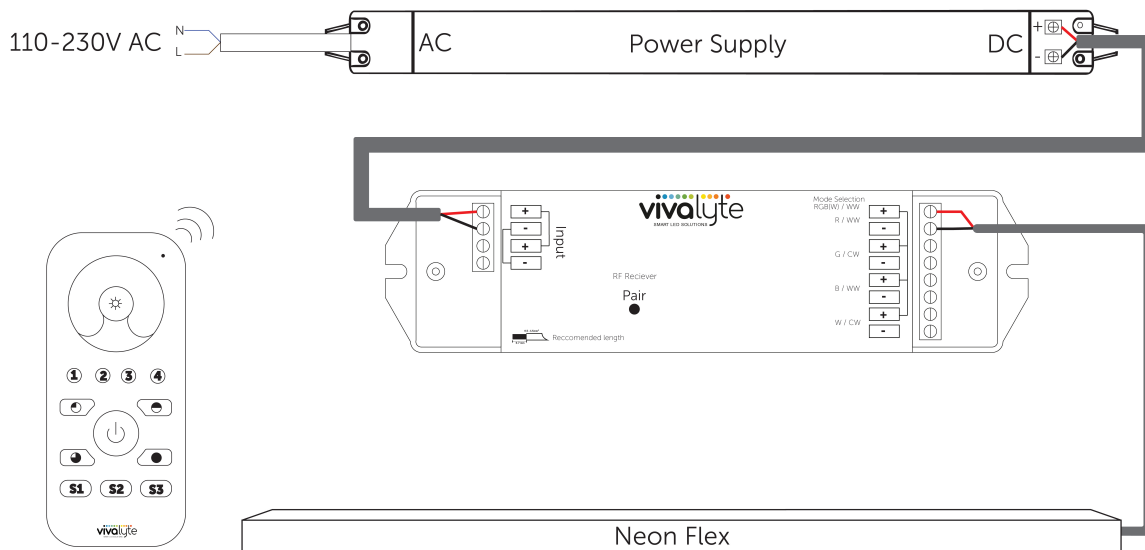
Product category	Neon Flex
Neonflex type	Sidebending
Product name	VNL-S10C-12-C-O



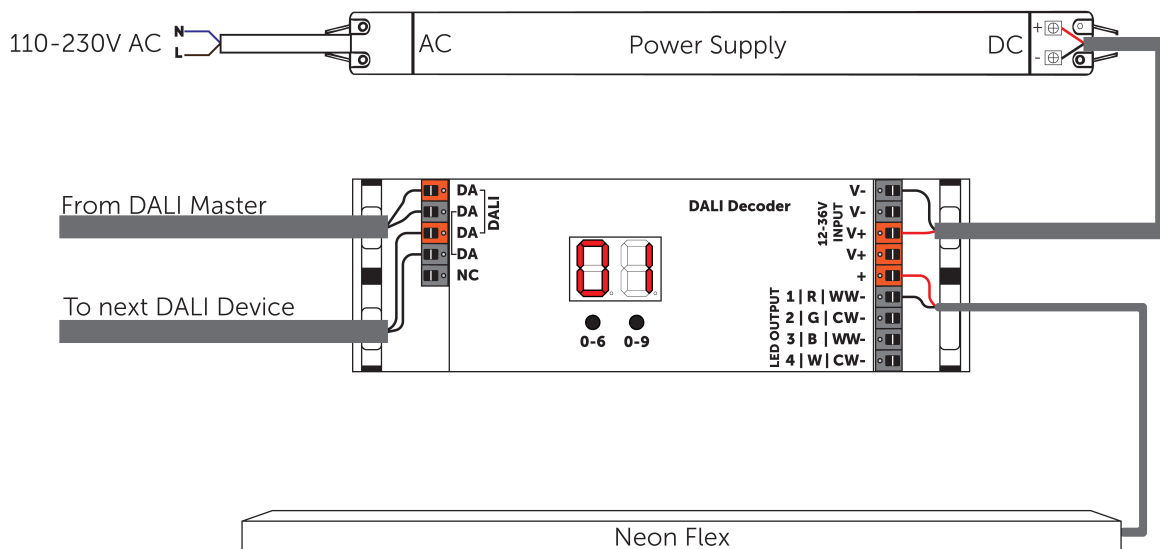
Technical drawing



System Diagram: RF



System Diagram: DALI



System Diagram: DMX

